



SVU
SPECIAL VALUE UNITS

STAINLESS STEEL
ECONOMY HANDSINKS 

WITH SIDE SPLASH

Conforms To NSF 61/9 Lead Free Requirements

Item #:	_____	Qty #:	_____
Model #:	_____		
Project #:	_____		



7-PS-EC-SP



7-PS-EC-SPRorL
(7-PS-EC-SPL Shown)



7-PS-EC-SP-NF



7-PS-71ECSPNF

FEATURES:

Deep Draw sink bowl design.

Sink bowl is 10" x 14" x 5".

Sink bowl has a large liberal radii with a minimum dimension of 2" and are rectangular in design for increased capacity.

7 3/4" high side splashes.

Stainless steel 1-1/2" basket drain. 1-1/2" IPS.

Wall mount bracket.

7-PS-EC-SP & 7-PS-EC-SPR or L includes 4" O.C. economy splash mounted lead free compliant gooseneck faucet, chrome plated & furnished with aerator.

7-PS-EC-SP-NF - Faucet not included.

Two holes punched 4" O.C

7-PS-71ECSPNF - Faucet not included.

Single square hole punched.

CONSTRUCTION:

All TIG welded.

Welded areas blended to match adjacent surfaces and to a satin finish.

Die formed Countertop Edge with a No-Drip offset.

MATERIAL:

Heavy gauge type 304 series stainless steel.

Wall mounting bracket is Galvanized and of offset design.

All fittings are brass / chrome plated unless otherwise indicated.

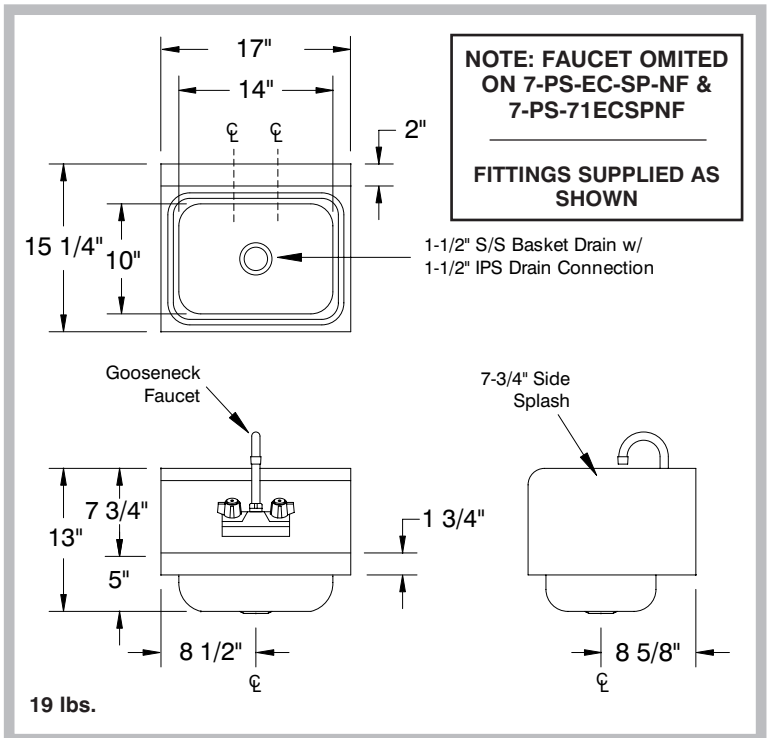
MECHANICAL:

Faucet supply is 1/2" IPS male thread hot and cold.
(7-PS-EC-SP & 7-PS-EC-SPR or L Only)

DIMENSIONS and SPECIFICATIONS

TOL ± .500"

ALL DIMENSIONS ARE TYPICAL



WARNING:

Equipment that includes a faucet may expose you to chemicals, including lead, that are known to the State of California to cause cancer or birth defects or other reproductive harm. For more info, visit www.p65warnings.ca.gov.



Customer Service Available To Assist You **1-800-645-3166** 8:30 am - 8:00 pm E.S.T.

For Orders & Customer Service:

Email: customer@advancetabco.com or Fax: 631-242-6900

For Smart Fabrication™ Quotes:

Email: smartfab@advancetabco.com or Fax: 631-586-2933